



Wasserwerk

Manufactured in Germany



Premium Kitchen Faucets
Catalog & Price Book



Premium Kitchen Faucets

38 Accessories
Soap Dispenser
Air Gap
Air Switch
Base Plate

Collections

- 8 Atik**
- 12 Felis**
Semi-Pro
Straight Pull-Out
Straight
Bar
- 18 Okab**
- 19 Keid**
Edge
Sphere
Curve
- 25 Maia**
- 28 Rana**
Edge
Sphere
Curve
Prep
- 34 Polis**
- 35 Pot Filler**



For the Heart of Your Home

The kitchen is where family gathers, meals are shared, and memories are made.

Built to Last

Solid construction and wear-resistant silicone gasket resists deterioration, lasts longer, and has fewer leakage points than other faucets.



Limited Lifetime Warranty



Our limited lifetime warranty reflects confidence in our German-made products, emphasizing precision engineering and reliability, assuring long-term satisfaction and trust in our craftsmanship.





700915/USW
Brushed Nickel
\$ 949.00



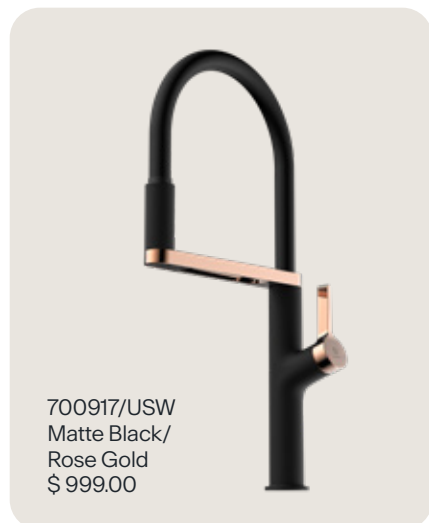
700910/USW
Chrome
\$ 799.00



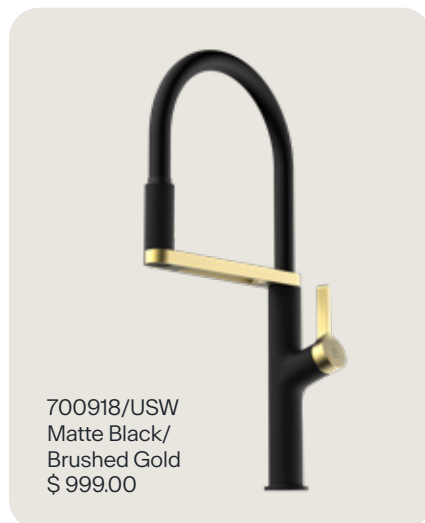
700916/USW
Matte Black
\$ 949.00



700912/USW
Matte Graphite
\$1.049.00



700917/USW
Matte Black/
Rose Gold
\$ 999.00



700918/USW
Matte Black/
Brushed Gold
\$ 999.00

Atik Semi-Pro Pull-Down Faucet

Specifications

Flexible soft-touch hose

Practical cold-start function for energy saving

Pull-down spout with 2 sprays

Easy assembly due to central fixing nut

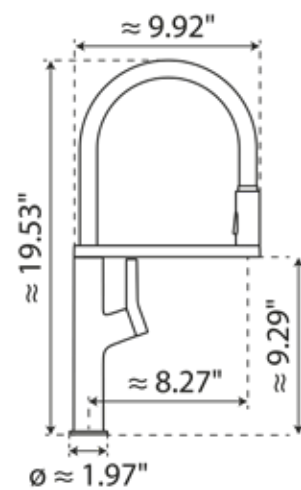
Flexible metal connection hoses approx. 39.37"

Connection type: High pressure

Swivel range: 360°

Flow Rate: 1.75 gpm

Hole count: 1 to 3 (base plate available seperately)



Soft-touch hose

Stylish design

Manufactured in Germany

A seal of approval, known and respected worldwide, Made in Germany is our **Wasserwerk** quality promise to you.





700555/USW
Brushed Nickel
\$ 899.00



700550/USW
Chrome
\$ 749.00



700556/USW
Matte Black
\$ 899.00



700557/USW
Matte Black/
Rose Gold
\$ 949.00



700558/USW
Matte Black/
Brushed Gold
\$ 949.00



700575/USW
Brushed Nickel
\$ 699.00



700570/USW
Chrome
\$ 599.00

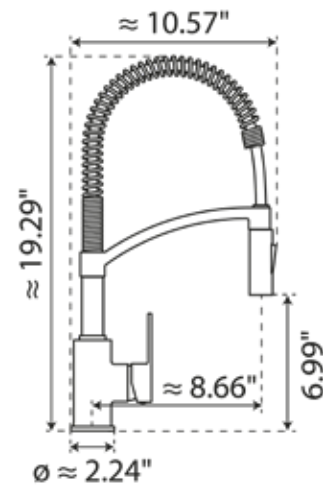


700576/USW
Matte Black
\$ 699.00

Felis Semi-Pro Pull-Down Faucet

Specifications

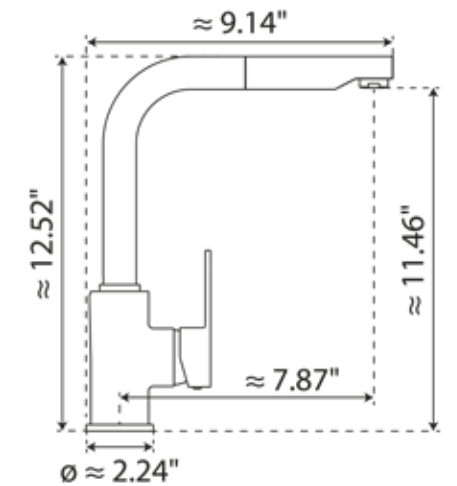
Practical cold-start function for energy saving
Adjustable scalding protection
Pull-down spout with 2 sprays
Easy assembly due to central fixing nut
Flexible metal connection hoses approx. 39.37"
Connection type: High pressure
Swivel range: 360°
Flow Rate: 1.75 gpm
Hole count: 1 to 3 (base plate available seperately)



Felis Straight Pull-Out Faucet

Specifications

Practical cold-start function for energy saving
Adjustable scalding protection
Pull-out spout
Easy assembly due to central fixing nut
Flexible metal connection hoses approx. 39.37"
Connection type: High pressure
Swivel range: 360°
Flow Rate: 1.75 gpm
Hole count: 1 to 3 (base plate available seperately)

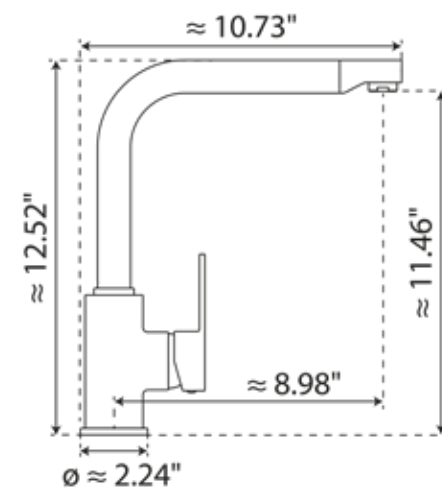




Felis Straight Faucet

Specifications

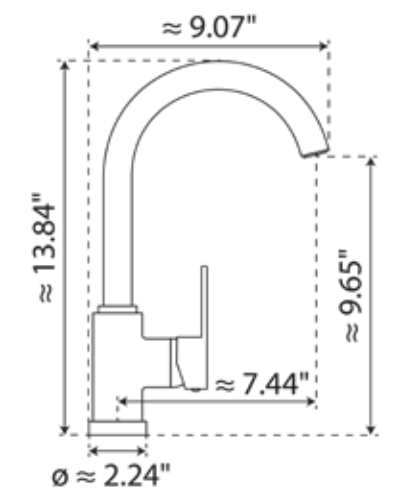
Practical cold-start function for energy saving
Adjustable scalding protection
Easy assembly due to central fixing nut
Flexible metal connection hoses approx. 39.37"
Connection type: High pressure
Swivel range: 360°
Flow Rate: 1.75 gpm
Hole count: 1 to 3 (base plate available seperately)



Felis Bar Faucet

Specifications

Practical cold-start function for energy saving
Adjustable scalding protection
Easy assembly due to central fixing nut
Flexible metal connection hoses approx. 39.37"
Connection type: High pressure
Swivel range: 360°
Flow Rate: 1.75 gpm
Hole count: 1 to 3 (base plate available seperately)



Faucets for Every Kitchen

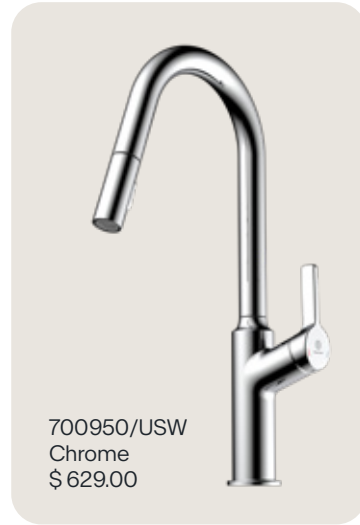
With a wide range of colors and finishes, our faucets add a personal touch to any kitchen.

Brushed Nickel, Matte Black, and Chrome are timeless favorites with classic appeal. Brushed Gold brings a touch of luxury and warmth to the room. Matte Graphite delivers a sleek, modern vibe that's currently on trend.





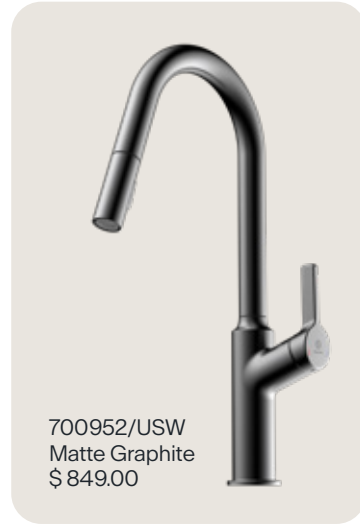
700955/USW
Brushed Nickel
\$729.00



700950/USW
Chrome
\$629.00



700956/USW
Matte Black
\$729.00



700952/USW
Matte Graphite
\$849.00



700954/USW
Brushed Gold
\$799.00



700925/USW
Brushed Nickel
\$799.00



700920/USW
Chrome
\$699.00



700926/USW
Matte Black
\$799.00



700922/USW
Matte Graphite
\$899.00



700924/USW
Brushed Gold
\$849.00

Okab Pull-Down Faucet

Specifications

Practical cold-start function for energy saving

Pull-down spout with 2 sprays

Easy assembly due to central fixing nut

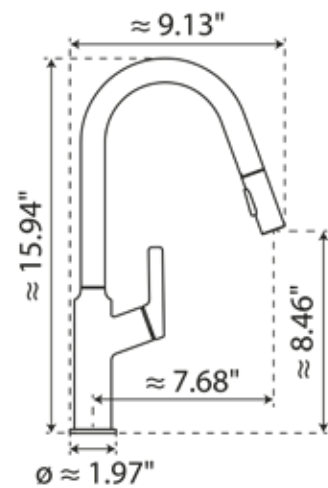
Flexible metal connection hoses approx. 39.37"

Connection type: High pressure

Swivel range: 360°

Flow Rate: 1.75 gpm

Hole count: 1 to 3 (base plate available seperately)



Keid Edge Pull-Down Faucet

Specifications

Practical cold-start function for energy saving

Pull-down spout with 2 sprays

Easy assembly due to central fixing nut

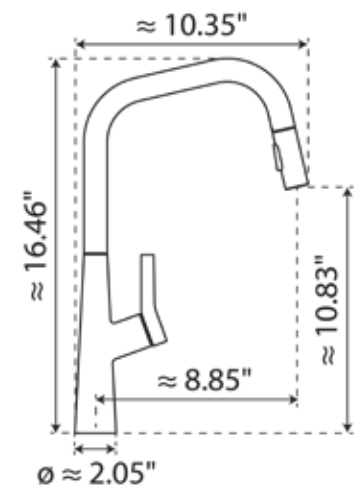
Flexible metal connection hoses approx. 39.37"

Connection type: High pressure

Swivel range: 360°

Flow Rate: 1.75 gpm

Hole count: 1 to 3 (base plate available seperately)



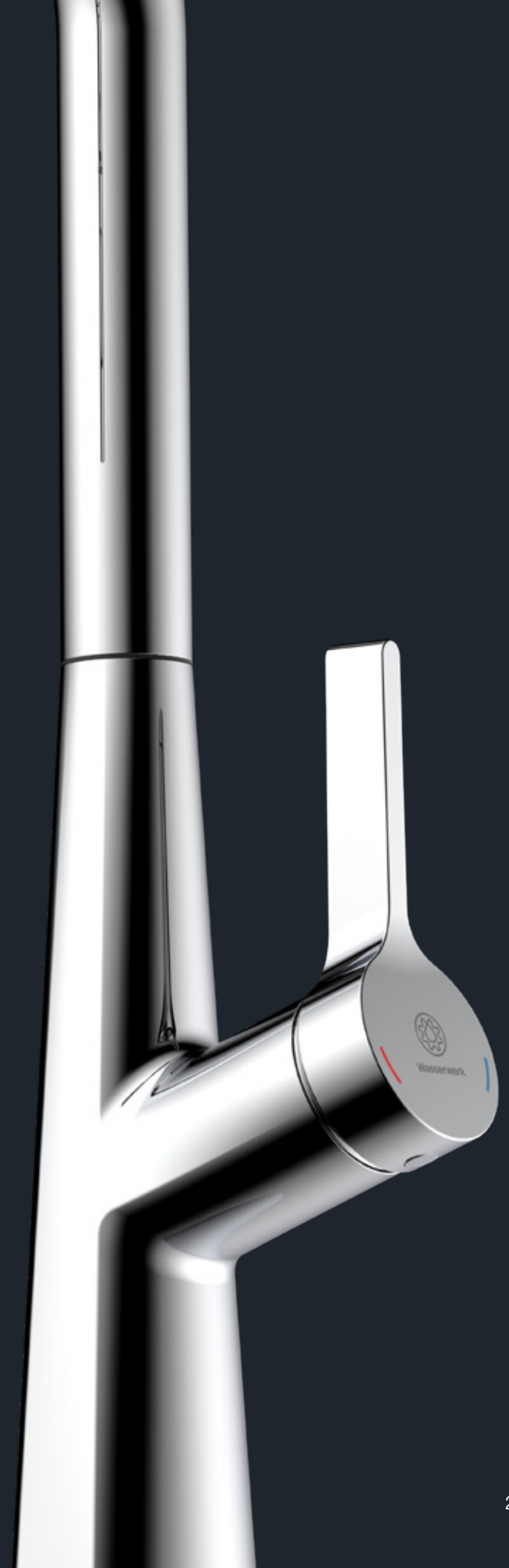


Innovative Easy-Clean Aerator

The anti-limescale aerator has a special silicone coating so you can simply rub limescale and other residue away.

Smooth Water Flow

The durable, high-quality ceramic cartridge and anti-splash laminar spray mechanism ensure even, smooth water flows 2 to 3 times longer over time than competing faucets.





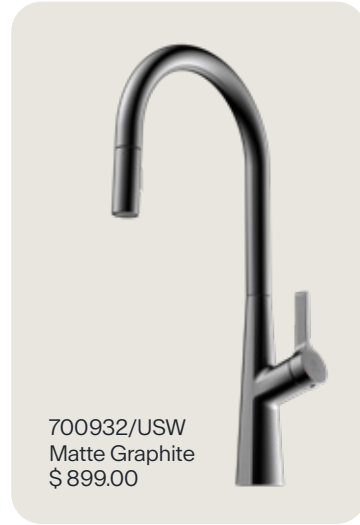
700935/USW
Brushed Nickel
\$ 799.00



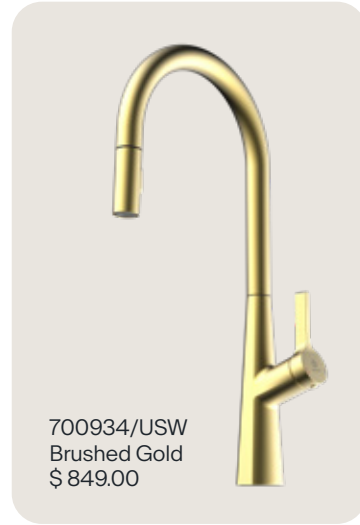
700930/USW
Chrome
\$ 699.00



700936/USW
Matte Black
\$ 799.00



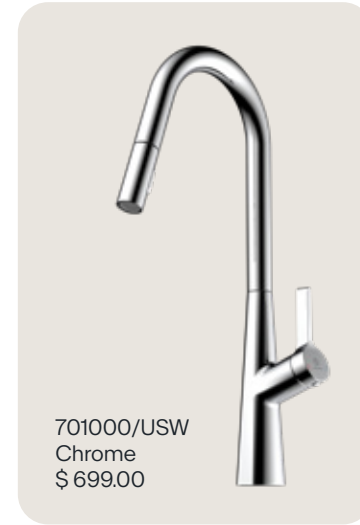
700932/USW
Matte Graphite
\$ 899.00



700934/USW
Brushed Gold
\$ 849.00



701005/USW
Brushed Nickel
\$ 799.00



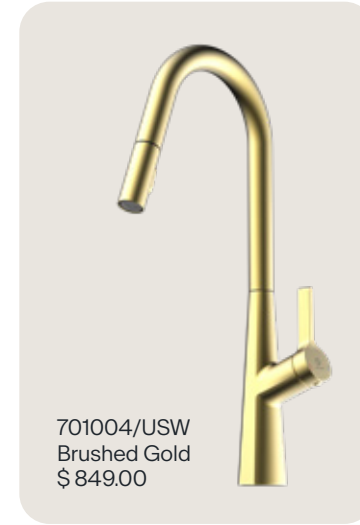
701000/USW
Chrome
\$ 699.00



701006/USW
Matte Black
\$ 799.00



701002/USW
Matte Graphite
\$ 899.00



701004/USW
Brushed Gold
\$ 849.00

Keid Sphere Pull-Down Faucet

Specifications

Practical cold-start function for energy saving

Pull-down spout with 2 sprays

Easy assembly due to central fixing nut

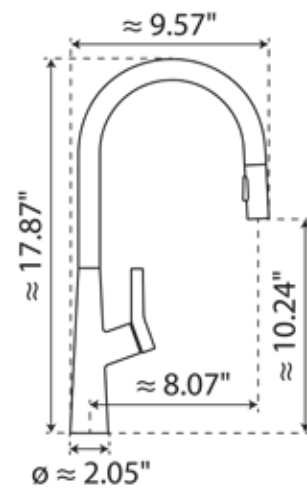
Flexible metal connection hoses approx. 39.37"

Connection type: High pressure

Swivel range: 360°

Flow Rate: 1.75 gpm

Hole count: 1 to 3 (base plate available seperately)



Keid Curve Pull-Down Faucet

Specifications

Practical cold-start function for energy saving

Pull-down spout with 2 sprays

Easy assembly due to central fixing nut

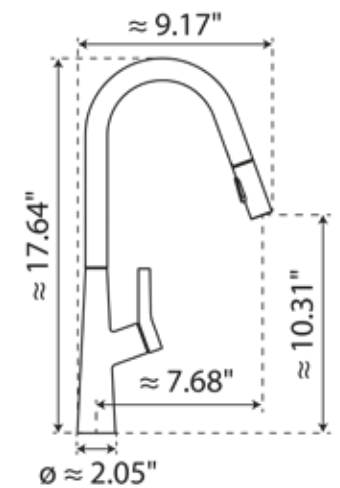
Flexible metal connection hoses approx. 39.37"

Connection type: High pressure

Swivel range: 360°

Flow Rate: 1.75 gpm

Hole count: 1 to 3 (base plate available seperately)





Scalding protection

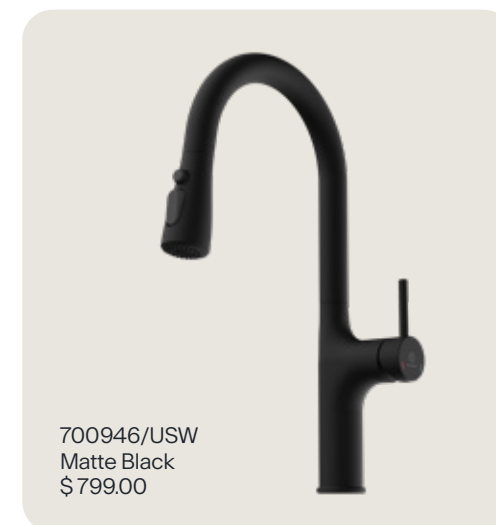
Spout with 3 sprays



700945/USW
Brushed Nickel
\$799.00



700940/USW
Chrome
\$699.00

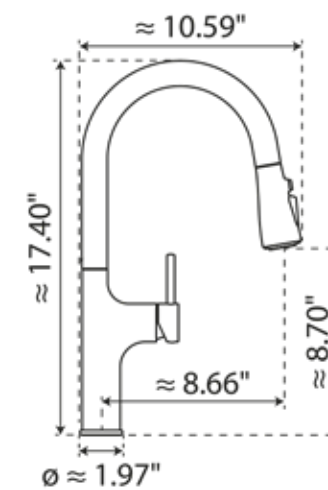


700946/USW
Matte Black
\$799.00

Maia Pull-Down Faucet

Specifications

Practical cold-start function for energy saving
Adjustable scalding protection
Pull-down spout with 3 sprays
Easy assembly due to central fixing nut
Flexible metal connection hoses approx. 39.37"
Connection type: High pressure
Swivel range: 360°
Flow Rate: 1.75 gpm
Hole count: 1 to 3 (base plate available separately)





Cold-start function

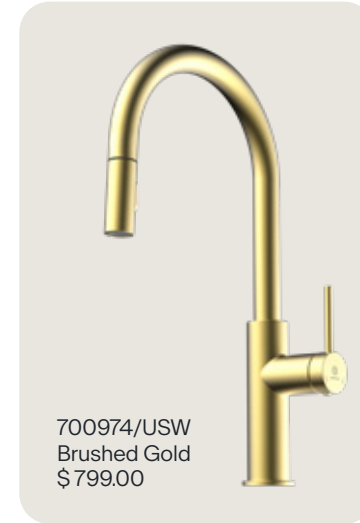
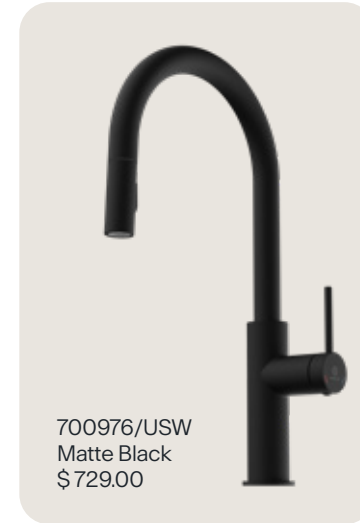
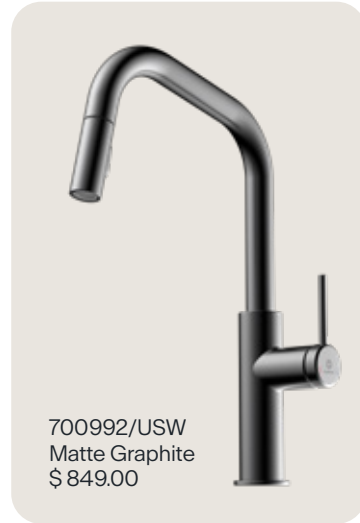
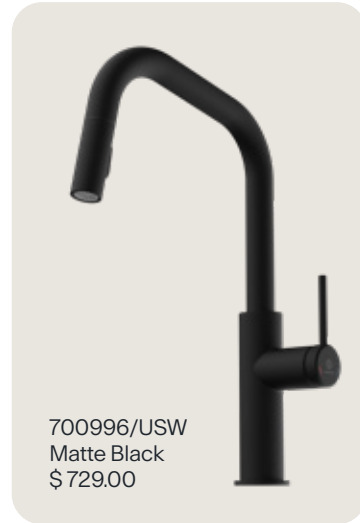
Space-Saving Design

Perfect for space-confined sinks, the lever starts in the vertical position and only moves forward when adjusting the temperature.

Scalding protection

Adjustable Scalding Protection

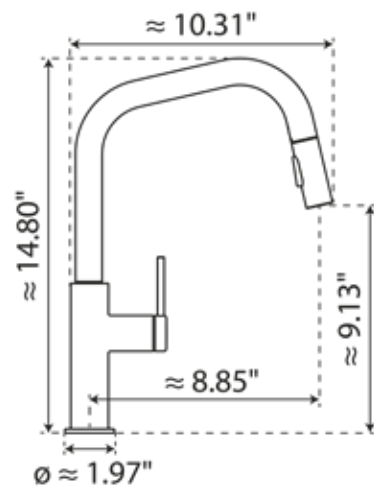
Several faucets have a high-quality cartridge with an adjustable temperature limiter. This reduces the risk of scalding and provides safety for the whole family.



Rana Edge Pull-Down Faucet

Specifications

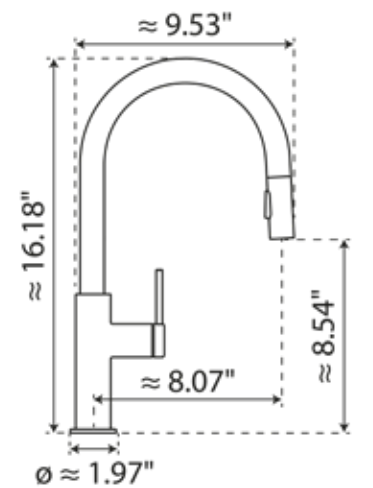
Practical cold-start function for energy saving
Pull-down spout with 2 sprays
Easy assembly due to central fixing nut
Flexible metal connection hoses approx. 39.37"
Connection type: High pressure
Swivel range: 360°
Flow Rate: 1.75 gpm
Hole count: 1 to 3 (base plate available seperately)

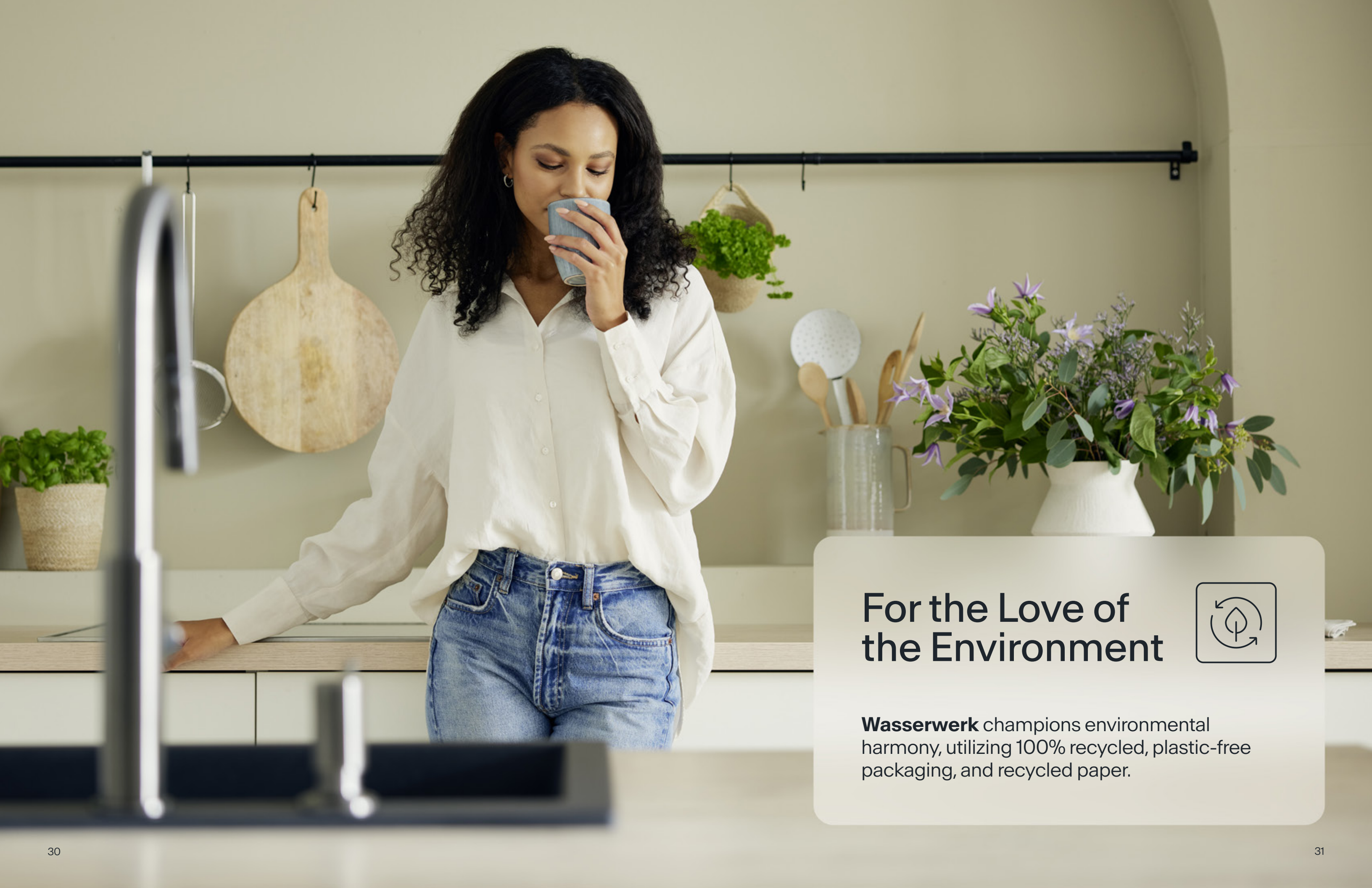


Rana Sphere Pull-Down Faucet

Specifications

Practical cold-start function for energy saving
Pull-down spout with 2 sprays
Easy assembly due to central fixing nut
Flexible metal connection hoses approx. 39.37"
Connection type: High pressure
Swivel range: 360°
Flow Rate: 1.75 gpm
Hole count: 1 to 3 (base plate available seperately)





For the Love of the Environment



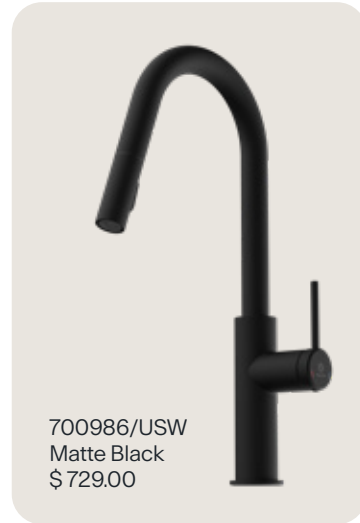
Wasserwerk champions environmental harmony, utilizing 100% recycled, plastic-free packaging, and recycled paper.



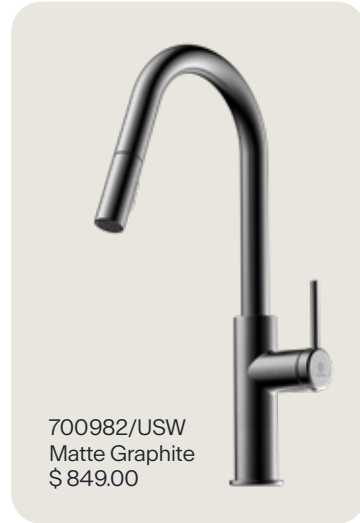
700985/USW
Brushed Nickel
\$729.00



700980/USW
Chrome
\$629.00



700986/USW
Matte Black
\$729.00



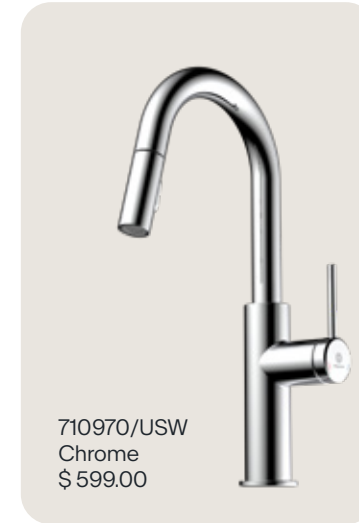
700982/USW
Matte Graphite
\$849.00



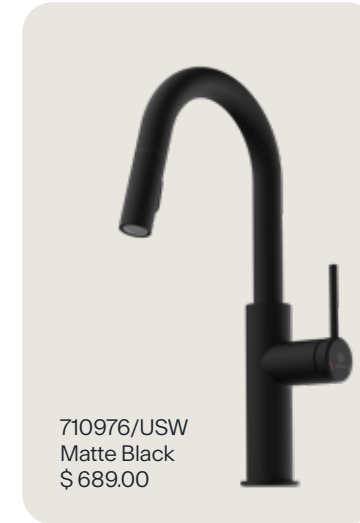
700984/USW
Brushed Gold
\$799.00



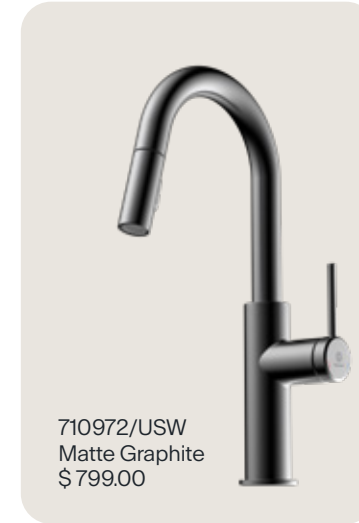
710975/USW
Brushed Nickel
\$689.00



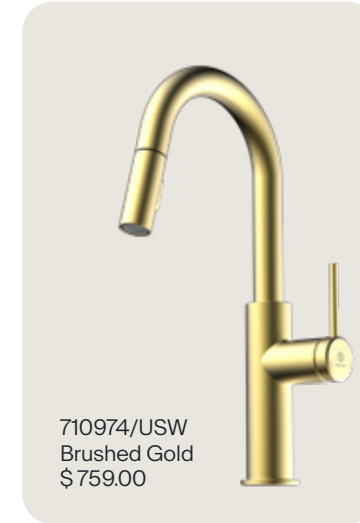
710970/USW
Chrome
\$599.00



710976/USW
Matte Black
\$689.00



710972/USW
Matte Graphite
\$799.00



710974/USW
Brushed Gold
\$759.00

Rana Curve Pull-Down Faucet

Specifications

Practical cold-start function for energy saving

Pull-down spout with 2 sprays

Easy assembly due to central fixing nut

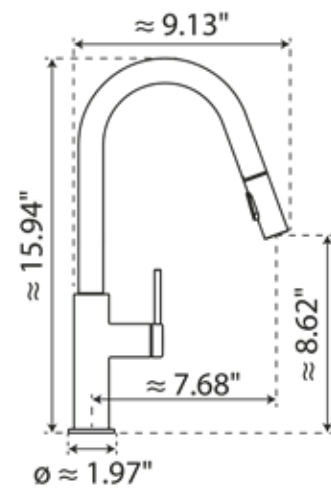
Flexible metal connection hoses approx. 39.37"

Connection type: High pressure

Swivel range: 360°

Flow Rate: 1.75 gpm

Hole count: 1 to 3 (base plate available separately)



Rana Prep Pull-Down Faucet

Specifications

Practical cold-start function for energy saving

Pull-down spout with 2 sprays

Easy assembly due to central fixing nut

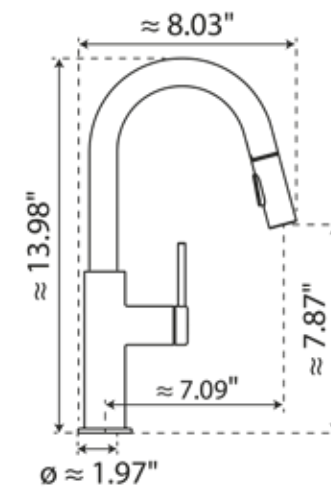
Flexible metal connection hoses approx. 39.37"

Connection type: High pressure

Swivel range: 360°

Flow Rate: 1.75 gpm

Hole count: 1 to 3 (base plate available separately)





700965/USW
Brushed Nickel
\$799.00



700960/USW
Chrome
\$699.00



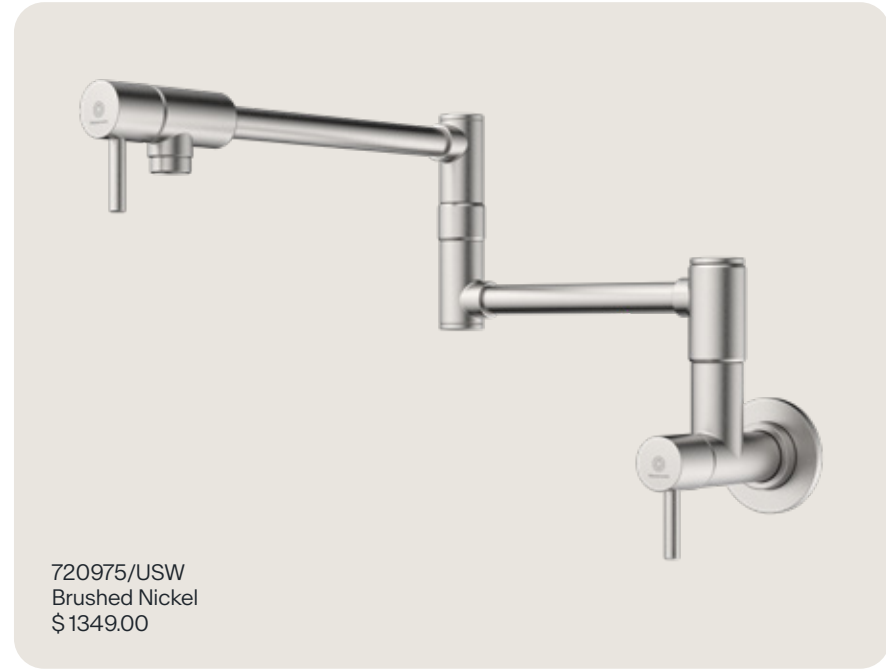
700966/USW
Matte Black
\$799.00



700962/USW
Matte Graphite
\$899.00



700964/USW
Brushed Gold
\$849.00



720975/USW
Brushed Nickel
\$1349.00



720970/USW
Chrome
\$1049.00



720976/USW
Matte Black
\$1349.00



720977/USW
Matte Black/
Rose Gold
\$1399.00

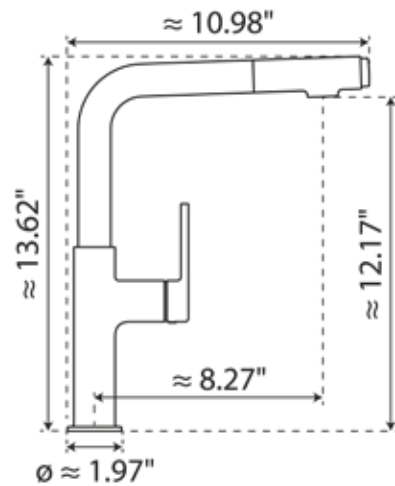


720978/USW
Matte Black/
Brushed Gold
\$1399.00

Polis Pull-Out Faucet

Specifications

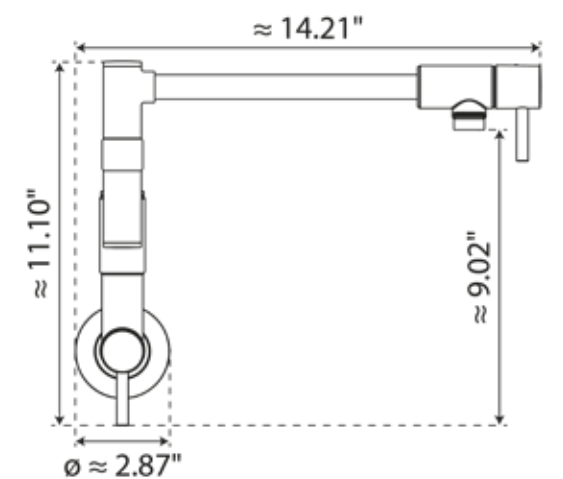
Practical cold-start function for energy saving
Pull-out spout with 2 sprays
Easy assembly due to central fixing nut
Flexible metal connection hoses approx. 39.37"
Connection type: High pressure
Swivel range: 360°
Flow Rate: 1.75 gpm
Hole count: 1 to 3 (base plate available seperately)



Pot Filler

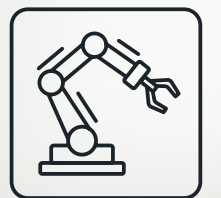
Specifications

Fold-out spout with double joint
Only suitable for cold water connection
Maximum projection up to 21.65"
½" ceramic valve bonnets
Mounting type: Wall mount
Swivel range: 360°
Flow Rate: 1.75 gpm





Iconic German Craftsmanship

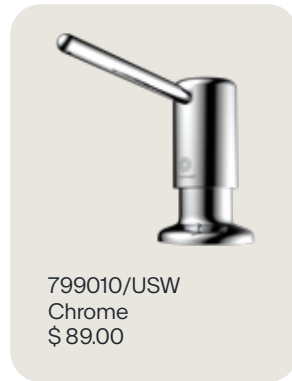


The perfect blend of innovation and tradition, we've designed beautiful, high-quality fixtures in Germany for over 100 years.

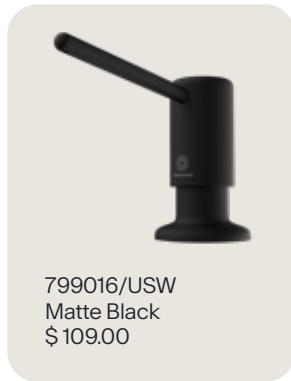
Soap Dispenser



799015/USW
Brushed Nickel
\$109.00



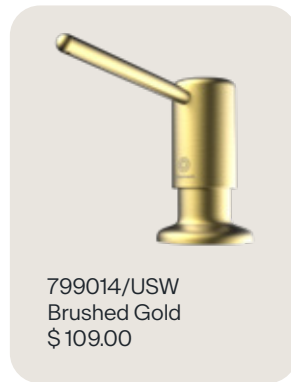
799010/USW
Chrome
\$89.00



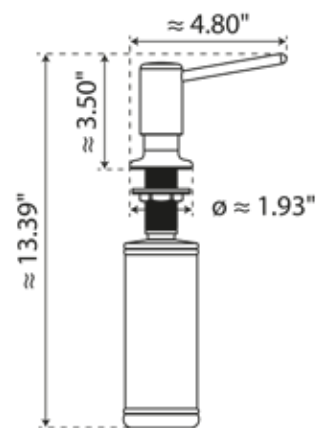
799016/USW
Matte Black
\$109.00



799012/USW
Matte Graphite
\$119.00

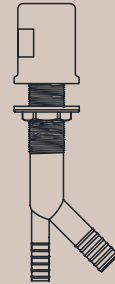


799014/USW
Brushed Gold
\$109.00



Air Gap

Item #	Color	Price
799035/USW	Brushed Nickel	\$ 49.00
799030/USW	Chrome	\$ 39.00
799036/USW	Matte Black	\$ 49.00
799032/USW	Matte Graphite	\$ 69.00
799034/USW	Brushed Gold	\$ 59.00



Air Switch

Item #	Color	Price
799045/USW	Brushed Nickel	\$ 59.00
799040/USW	Chrome	\$ 49.00
799046/USW	Matte Black	\$ 59.00
799042/USW	Matte Graphite	\$ 79.00
799044/USW	Brushed Gold	\$ 69.00



Base Plate

Item #	Color	Price
799025/USW	Brushed Nickel	\$ 79.00
799020/USW	Chrome	\$ 69.00
799026/USW	Matte Black	\$ 79.00
799022/USW	Matte Graphite	\$ 89.00
799024/USW	Brushed Gold	\$ 79.00



Our products are cUPC® Listed / Applied for cUPC® Listing
cUPC® Listed products comply with applicable sections of the Uniform Plumbing Code (UPC®), National Plumbing Code of Canada, and International Plumbing Code (IPC®), as well as applicable sections of IAPMO Z124.1.2-2005 / CSA B45.5-2022



Codes & Standards

- California Energy Commission (CEC)
- Department of Energy (DOE)
- ASME A112.18.1/CSA B125.1
- NSF/ANSI/CAN 61
- ADA Compliance
- NSF/ANSI 372
- MASS

We are proud members of



W. Kirchhoff Inc.
5126 South Royal Atlanta Drive
Tucker, GA 30084
USA

wasserwerk-us.com
info@wasserwerk-us.com

